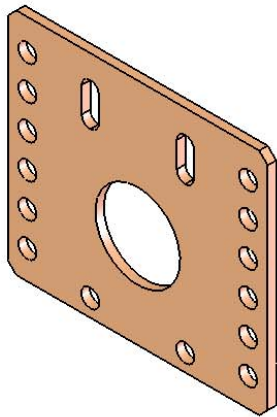
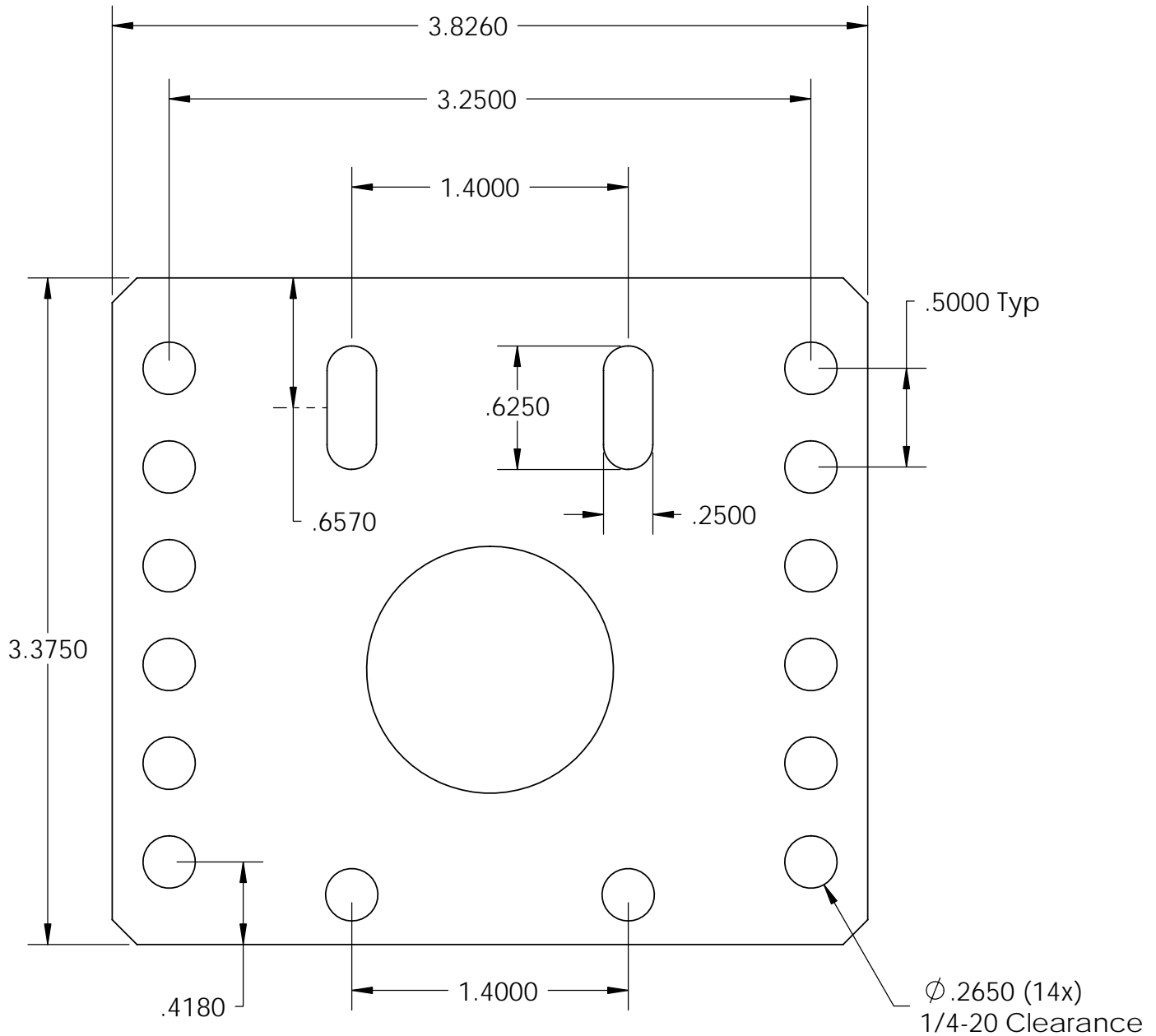


For Additional Details, refer to CAD models posted at www.ifrobotics.com

Innovation First, Inc.
BB Tran Mounting Angle

Material
Aluminum 5052 H32, 0.125" Thick
 ALL DIMENSIONS ARE IN INCHES.
PROPRIETARY AND CONFIDENTIAL

Dwg No & Rev
KITBOT-BBMNT-ANGLE RevB



For Additional Details, refer to CAD models posted at www.ifrobotics.com

Printed on 12/14/2006

Sheet 1 of 1

Innovation First, Inc.

BB Tran Mounting Top

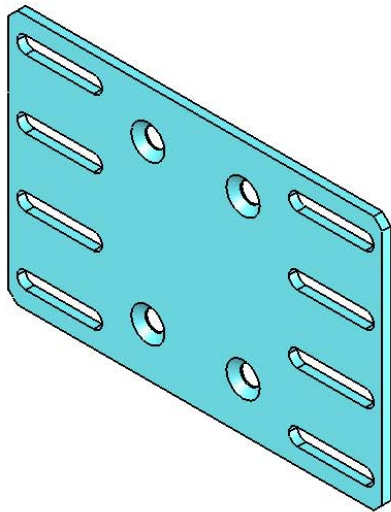
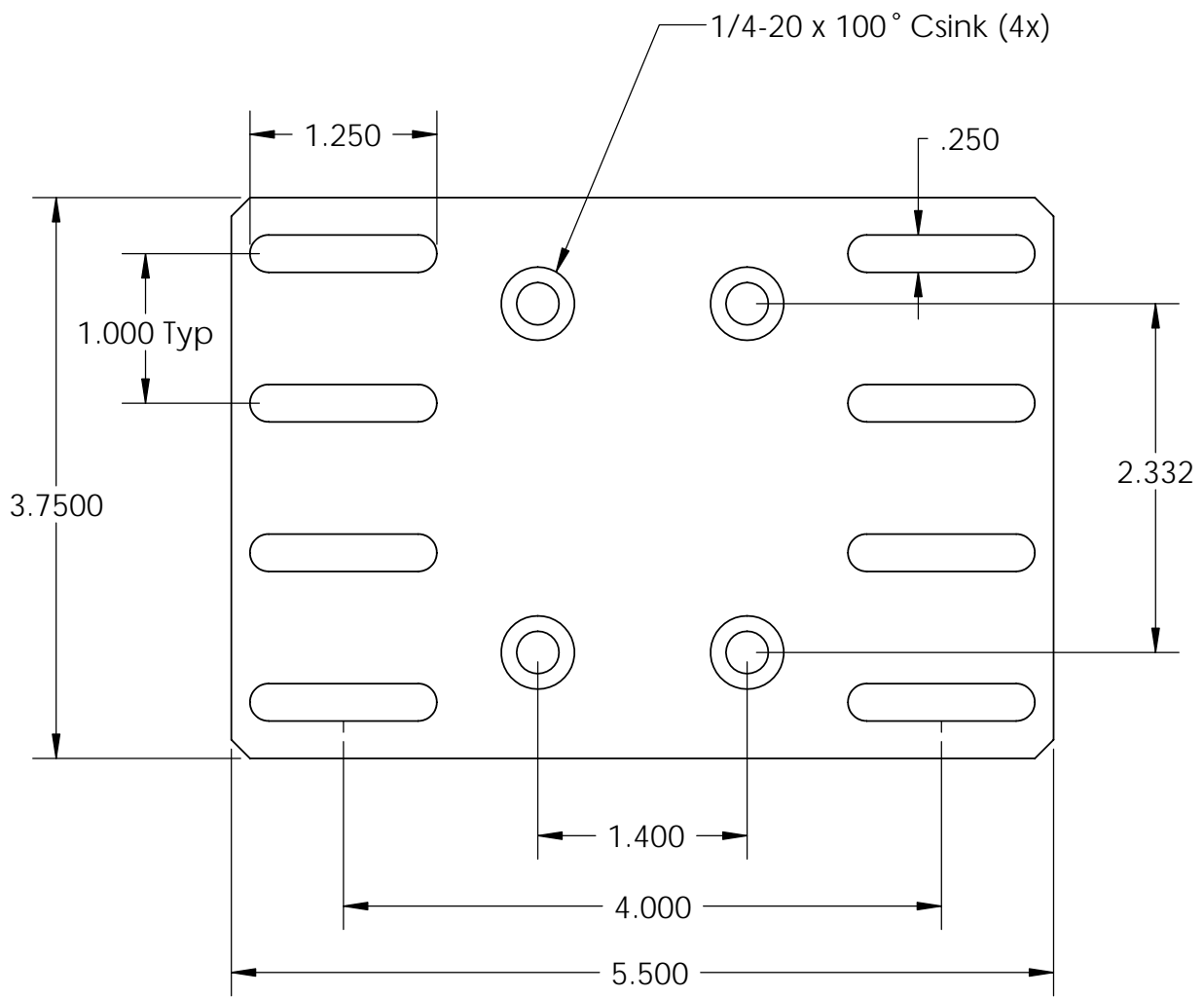
Material
Aluminum 5052 H32, 0.125" Thick

ALL DIMENSIONS ARE IN INCHES.

PROPRIETARY AND CONFIDENTIAL

Dwg No & Rev

KITBOT-BBMNT-TOP RevB



For Additional Details, refer to CAD models posted at www.ifrobotics.com

Printed on 12/14/2006

Sheet 1 of 1

Innovation First, Inc.

BB Tran Mounting Bottom

Material
Aluminum 5052 H32, 0.125" Thick

ALL DIMENSIONS ARE IN INCHES.

PROPRIETARY AND CONFIDENTIAL

Dwg No & Rev

KITBOT-BBMNT-BOT RevB